



Commander
United States Coast Guard
First District

One South Street
Battery Bldg. Rm . 3030
NYC, NY 10004-1466
Staff Symbol: (dpb)
Email: SMB-D1Boston-Bridges-PublicNotices@uscg.mil

May 12, 2023

PUBLIC NOTICE D01-200-23

PROPOSED MODIFICATION OF THE ROUTE 35 BRIDGE BETWEEN THE BOROUGH OF RED BANK AND TOWNSHIP OF MIDDLETOWN, NEW JERSEY

All interested parties are herein notified that the Commander, First Coast Guard District, has received application materials from the New Jersey Department of Transportation (NJDOT) dated, October 2022 for approval of location and plans for the modification of a bridge over a navigable waterway of the United States.

BRIDGE, WATERWAY AND LOCATION: The Route 35 Bridge (AKA Cooper’s Bridge) across the Navesink River, river-mile 8.3 between the Borough of Red Bank and Township of Middletown, Monmouth County, New Jersey.

CHARACTER OF WORK: Replace the existing fixed bridge fender system by removal of all existing (creosote coated) timber piles to a minimum depth of 3 feet below the mudline with the exception for the existing timber piles that have conflicts with the proposed fender piles shall be removed entirely, and the removal and replacement of all waler cross sections. Lighting and tidal gauges will be upgraded. The proposed project will significantly decrease the substructure rating and potentially provide greater protection to the bridge structure from vessel allisions. The new integral system will have a slightly wider channel opening. The fender will be constructed using composite polymer walers affixed to the existing 54-inch diameter concrete bridge support piles and 12, 36-inch diameter hollow fiber reinforced polymer dolphin piles. The proposed dolphin piles will be installed using both a vibratory and impact hammer.

MINIMUM NAVIGATIONAL CLEARANCES:

The proposed modified bridge will have clearances at mean high water (MHW) as described in the table below with a slightly wider channel opening.

	Existing	Proposed
Vertical	8 feet	8 feet
Horizontal	103 feet	103 feet

Datum: NAVD88

ENVIRONMENTAL CONSIDERATIONS:

The Federal Highway Administration (FHWA) is the lead federal agency for satisfying the requirements of the National Environmental Policy Act (NEPA). The FHWA is acting on behalf of the USCG for all environmental control laws. A Categorical Exclusion dated, June 24, 2022 was issued on July 11, 2022, pursuant to NEPA, as amended. The U.S. Coast Guard tentatively determined that the proposed action will not have a significant impact on the environment for the purposes of NEPA and plans to issue a categorical exclusion for the project.

The project is not considered an encroachment on the 100-year floodplain. The project will have no effect on the low steel of the bridge at 8 feet at Maximum Elevation; and a Mean High Water (MHW) elevation at +1.83 feet and a Mean Low Water (MLW) elevation at -1.68 feet.

A water quality certification in accordance with 401 of the Clean Water Act, as amended, for this project was issued by the State of New Jersey Department of Environmental Protection Watershed & Land Management dated, December 2, 2022. No wetlands will be taken or affected by this project.

The project would “not result in adverse effects” as described in Section 106 of the National Historic Preservation Act of 1966, determination issued by the Historic Preservation Office, New Jersey Department of Environmental Protection dated, September 02, 2021.

SOLICITATION OF COMMENTS:

Mariners are requested to comment on the proposed navigation clearances, placement of a bridge protective system and other navigational safety issues, including need for clearance gauges and extent of nighttime navigation to determine the need for bridge lighting.

Interested parties are requested to express their views, in writing, on the proposed bridge project including its possible environmental impacts to include those impacts on minority and/or low-income populations, if any, giving sufficient detail to establish a clear understanding of the reasons for support of, or opposition to, the proposed work. Comments will be received for the record at the address noted in the header or via email at [SMB-D1Boston- Bridges-PublicNotices@uscg.mil](mailto:SMB-D1Boston-Bridges-PublicNotices@uscg.mil) through **June 13, 2023**.

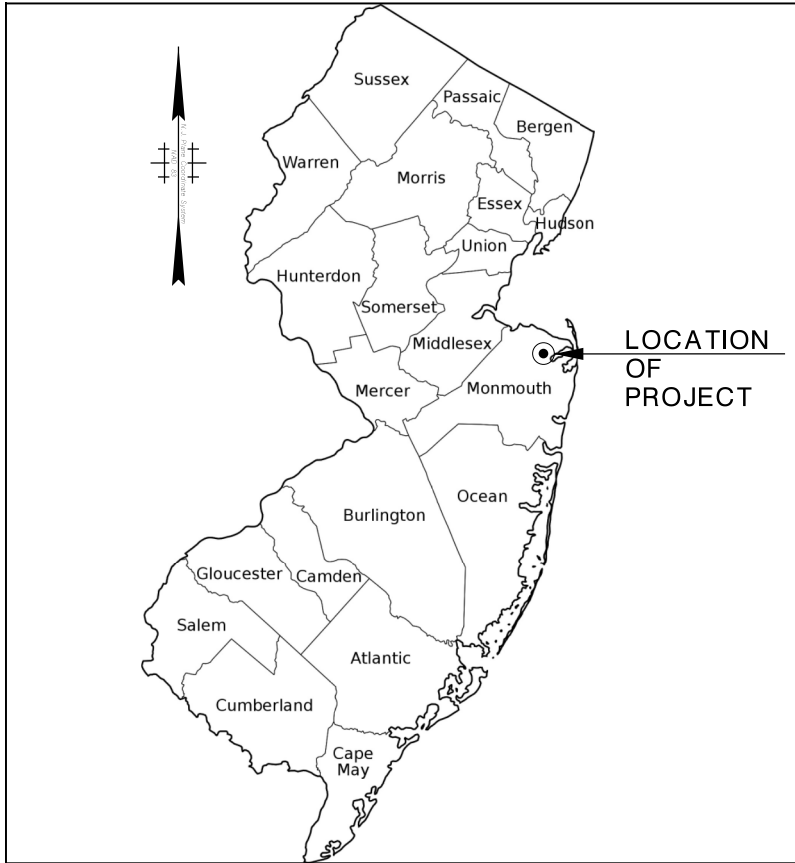
Map of location and plans attached.

FOR THE DISTRICT COMMANDER:

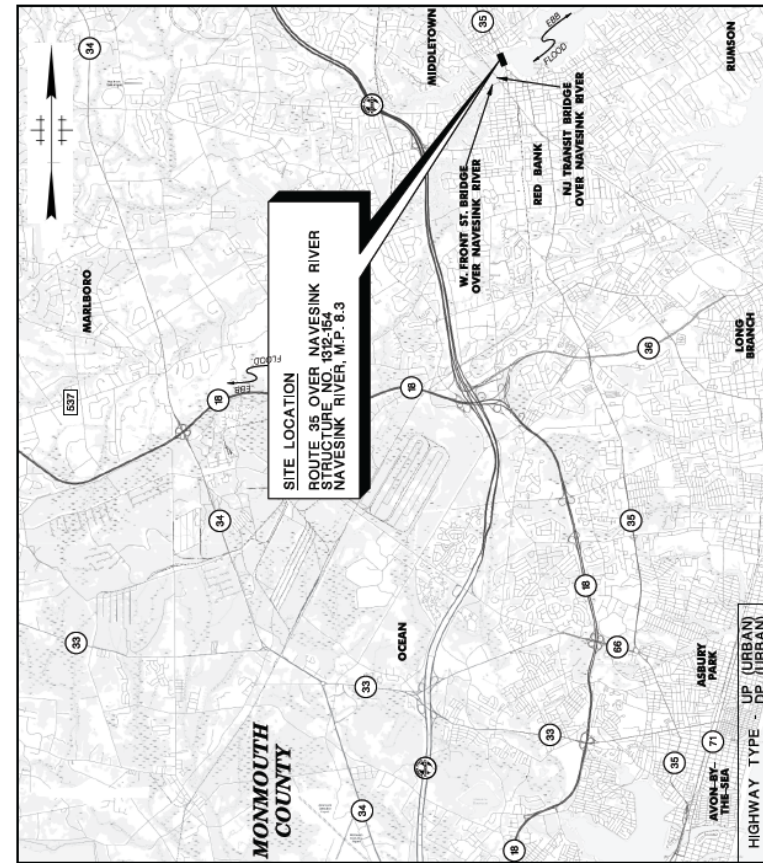
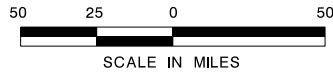
//D. A. Fisher//

D. A. Fisher
Bridge Program Manager
By direction

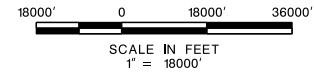
This is a web-searchable copy and is not the official, signed version; however, other than the signature being omitted, it is a duplicate of the official version.



VICINITY MAP



LOCATION MAP



MHW EL. = 1.83'
 MLW EL. = -1.68
 100 YEAR FLOOD EL. = 8.1'
 500 YEAR FLOOD EL. = 10.4'
 DATUM: NAVD 1988

LATITUDE: 40°21'21.68"N
 LONGITUDE: 74°04'33.11"W



HARDESTY AND HANOVER, LLC
 5 MARINE VIEW PLAZA, HOBOKEN, NJ 07030
Robert F. Supino
 ROBERT F. SUPINO
 NEW JERSEY PROFESSIONAL ENGINEER LICENSE NO. 24GE04130700
 DATE 5/5/2023

NOTE: CONCEPTUAL PLANS UTILIZED TO OBTAIN COAST GUARD BRIDGE PERMIT

NEW JERSEY DEPARTMENT OF TRANSPORTATION

ROUTE 35 BRIDGE OVER NAVESINK RIVER
 NAVESINK RIVER, M.P. 8.3

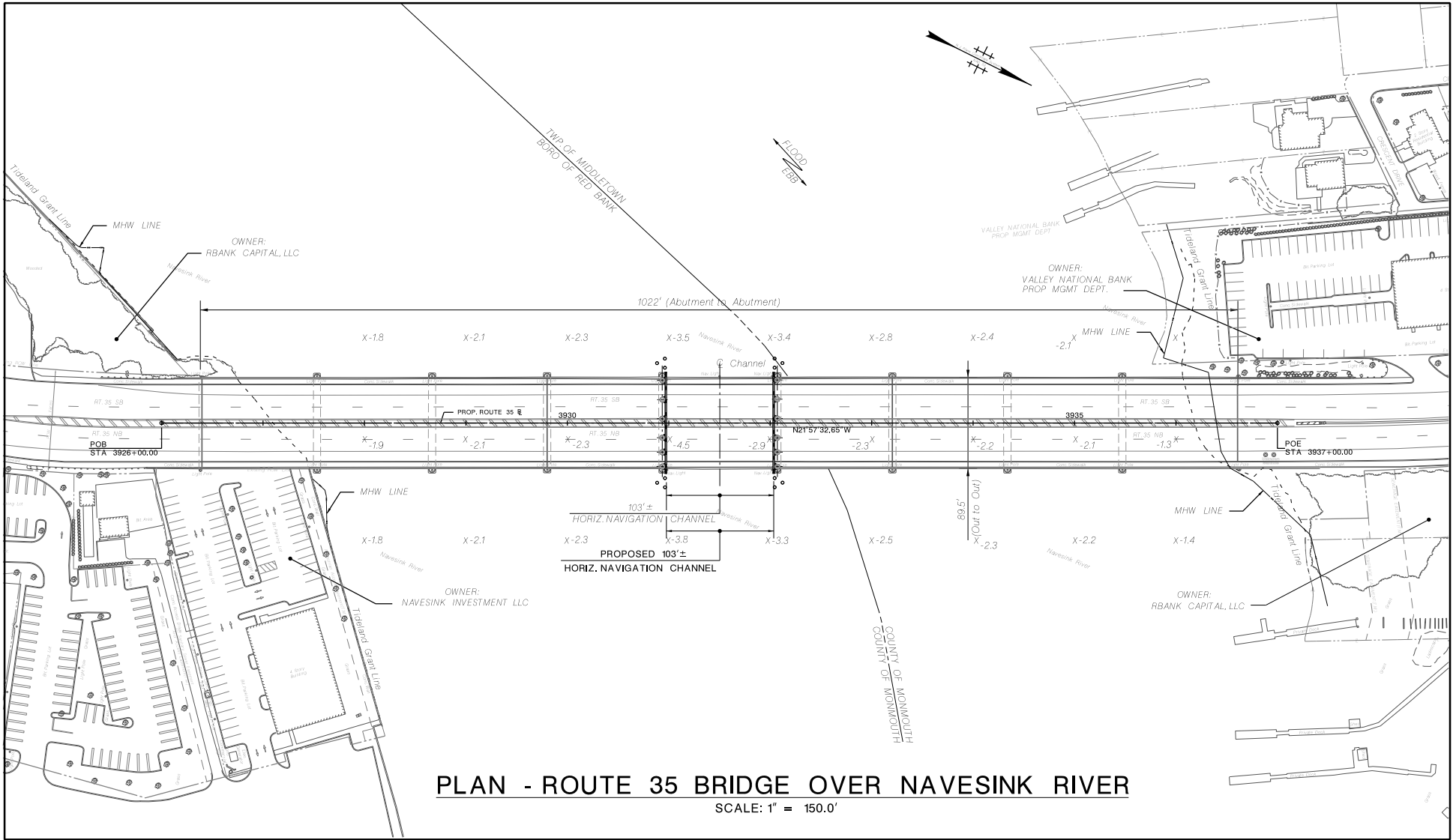
BOROUGH OF RED BANK AND TOWNSHIP OF MIDDLETOWN
 MONMOUTH COUNTY
 STATE OF NEW JERSEY

CONSULTANT: HARDESTY & HANOVER, LLC

APPLICATION BY:
 NEW JERSEY DEPARTMENT OF TRANSPORTATION

SHEET 1 OF 5 DATE 5/5/2023

REVISION	BY	C/K/D	DATE



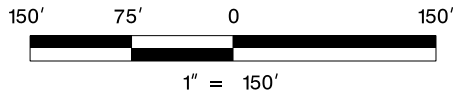
PLAN - ROUTE 35 BRIDGE OVER NAVESINK RIVER

SCALE: 1" = 150.0'

X = WATER DEPTH AT MLW

NOTE: CONCEPTUAL PLANS UTILIZED TO OBTAIN COAST GUARD BRIDGE PERMIT

MHW EL. = 1.83'
 MLW EL. = -1.68
 100 YEAR FLOOD EL. = 8.1'
 500 YEAR FLOOD EL. = 10.4'
 DATUM: NAVD 1988



HARDESTY AND HANOVER, LLC
 5 MARINE VIEW PLAZA, HOBOKEN, NJ 07030
Robert F. Supino
 ROBERT F. SUPINO
 NEW JERSEY PROFESSIONAL ENGINEER LICENSE NO. 246E04130700
 DATE 5/5/2023

NEW JERSEY DEPARTMENT OF TRANSPORTATION

ROUTE 35 BRIDGE OVER NAVESINK RIVER
 NAVESINK RIVER, M.P. 8.3

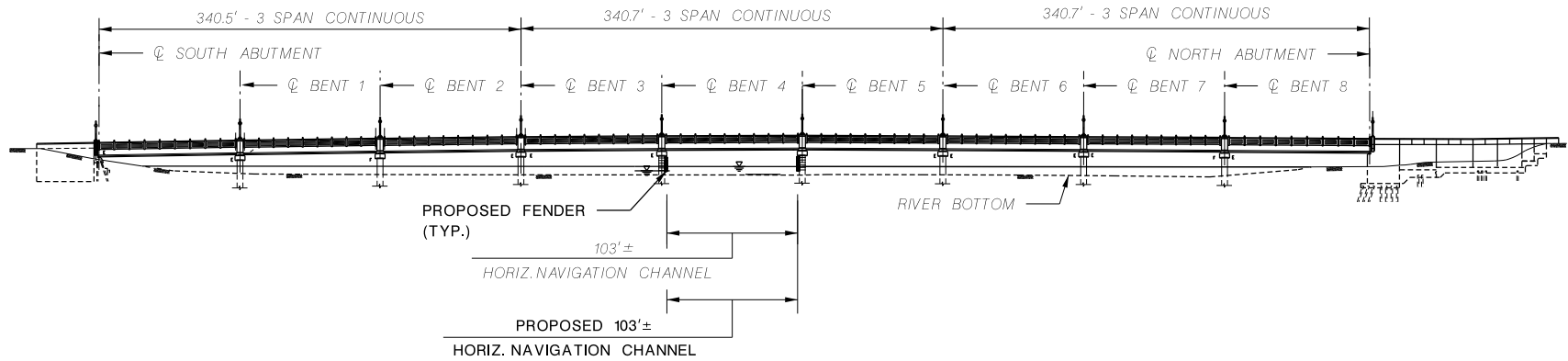
BOROUGH OF RED BANK AND TOWNSHIP OF MIDDLETOWN
 MONMOUTH COUNTY
 STATE OF NEW JERSEY

CONSULTANT: HARDESTY & HANOVER, LLC

APPLICATION BY:
 NEW JERSEY DEPARTMENT OF TRANSPORTATION

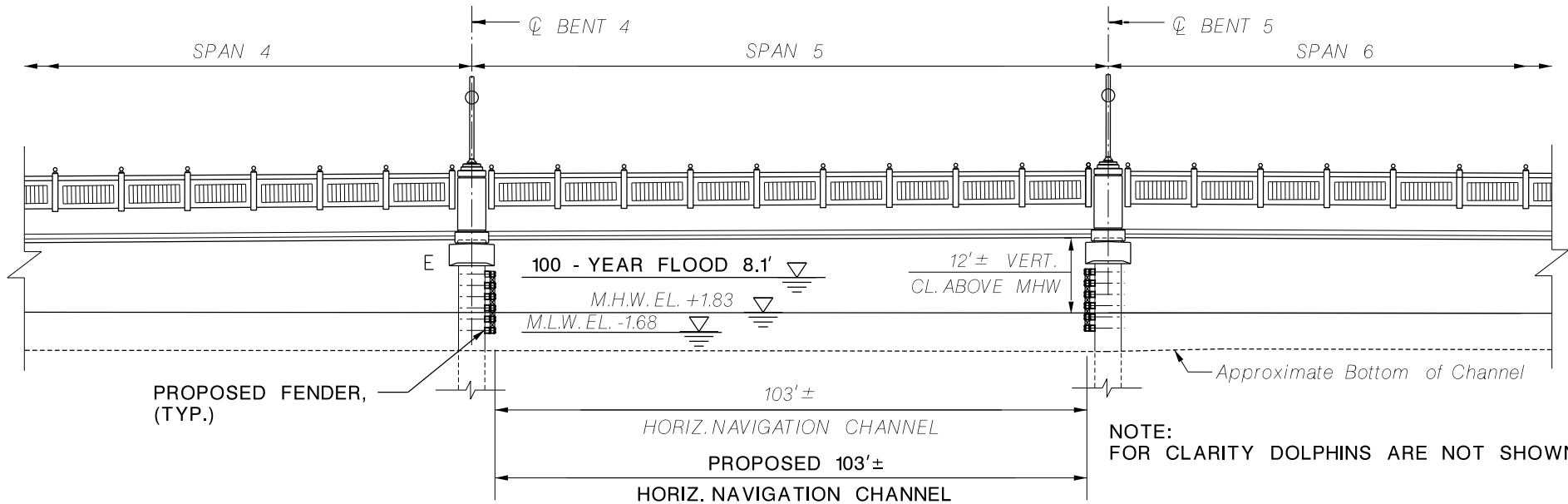
SHEET 2 OF 5 DATE 5/5/2023

REVISION	BY	C/K/D	DATE



NORTH ELEVATION - ROUTE 35 BRIDGE OVER NAVESINK RIVER

SCALE: 1" = 150.0'



NORTH ELEVATION - ROUTE 35 BRIDGE OVER NAVESINK RIVER

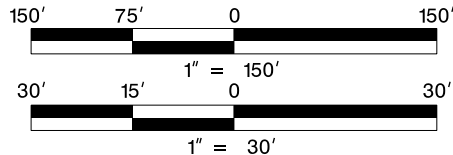
SCALE: 1" = 30.0'

NOTE: CONCEPTUAL PLANS UTILIZED TO OBTAIN COAST GUARD BRIDGE PERMIT

MHW EL. = 1.83'
 MLW EL. = -1.68
 100 YEAR FLOOD EL. = 8.1'
 500 YEAR FLOOD EL. = 10.4'
 DATUM: NAVD 1988



HARDESTY AND HANOVER, LLC
 5 MARINE VIEW PLAZA, HOBOKEN, NJ 07030
Robert F. Supino
 ROBERT F. SUPINO
 NEW JERSEY PROFESSIONAL ENGINEER LICENSE NO. 24GE04130700
 DATE 5/5/2023



REVISION	BY	C/K/D	DATE

NEW JERSEY DEPARTMENT OF TRANSPORTATION

ROUTE 35 BRIDGE OVER NAVESINK RIVER
 NAVESINK RIVER, M.P. 8.3

BOROUGH OF RED BANK AND TOWNSHIP OF MIDDLETOWN
 MONMOUTH COUNTY
 STATE OF NEW JERSEY

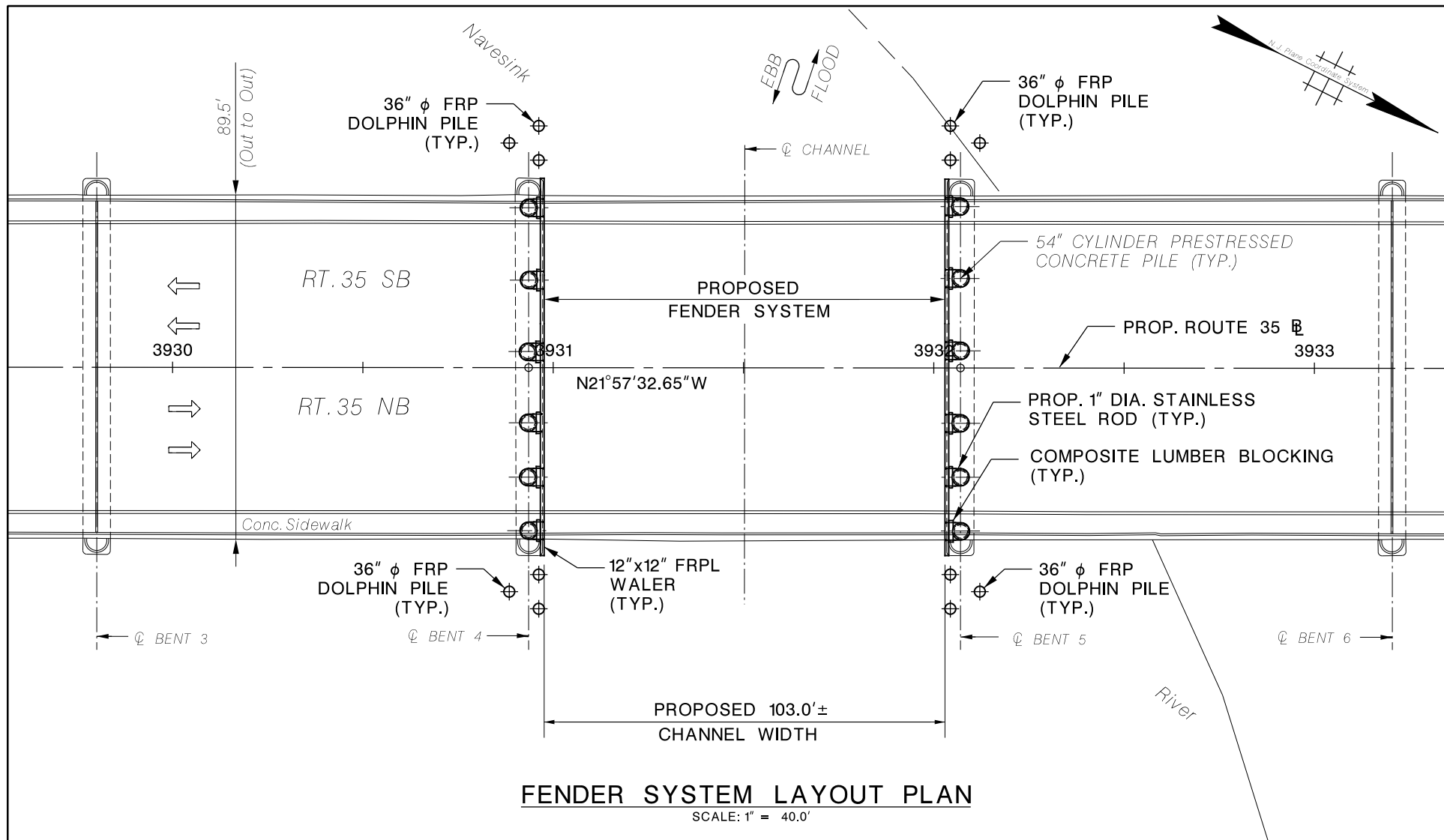
CONSULTANT: HARDESTY & HANOVER, LLC

APPLICATION BY:

NEW JERSEY DEPARTMENT OF TRANSPORTATION

SHEET 3 OF 5

DATE 5/5/2023

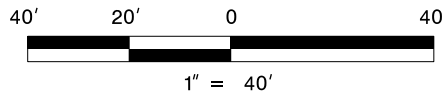


FENDER SYSTEM LAYOUT PLAN

SCALE: 1" = 40.0'

NOTE: CONCEPTUAL PLANS UTILIZED TO OBTAIN COAST GUARD BRIDGE PERMIT

MHW EL. = 1.83'
 MLW EL. = -1.68
 100 YEAR FLOOD EL. = 8.1'
 500 YEAR FLOOD EL. = 10.4'
 DATUM: NAVD 1988



HARDESTY AND HANOVER, LLC
 5 MARINE VIEW PLAZA, HOBOKEN, NJ 07030
Robert F. Supino
 ROBERT F. SUPINO
 NEW JERSEY PROFESSIONAL ENGINEER LICENSE NO. 246E04130700
 DATE 5/5/2023

NEW JERSEY DEPARTMENT OF TRANSPORTATION

ROUTE 35 BRIDGE OVER NAVESINK RIVER
 NAVESINK RIVER, M.P. 8.3

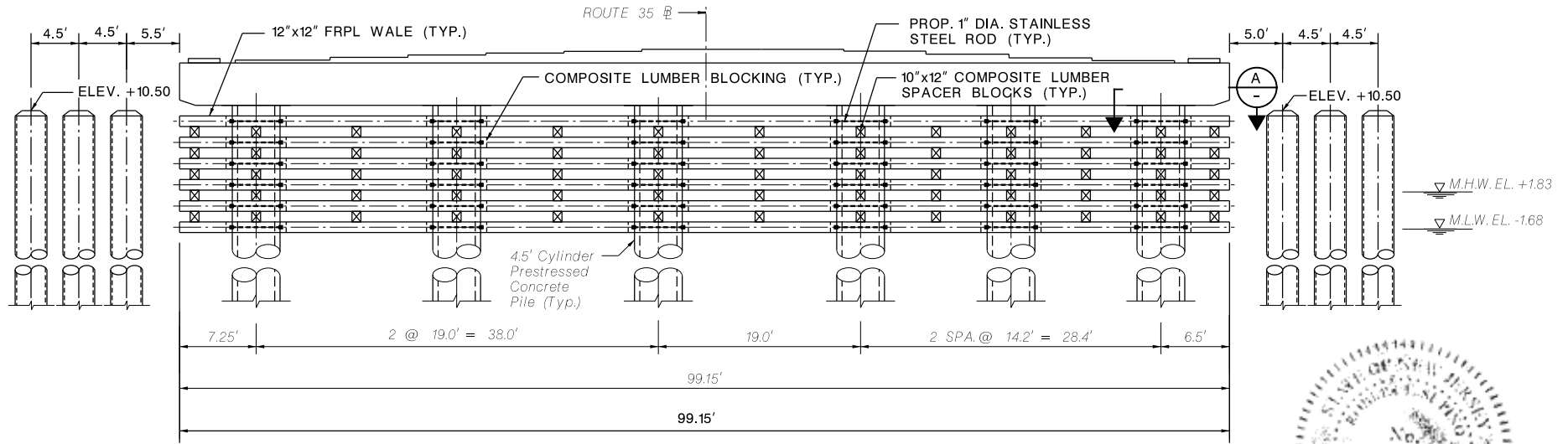
BOROUGH OF RED BANK AND TOWNSHIP OF MIDDLETOWN
 MONMOUTH COUNTY
 STATE OF NEW JERSEY

CONSULTANT: HARDESTY & HANOVER, LLC

APPLICATION BY:
 NEW JERSEY DEPARTMENT OF TRANSPORTATION

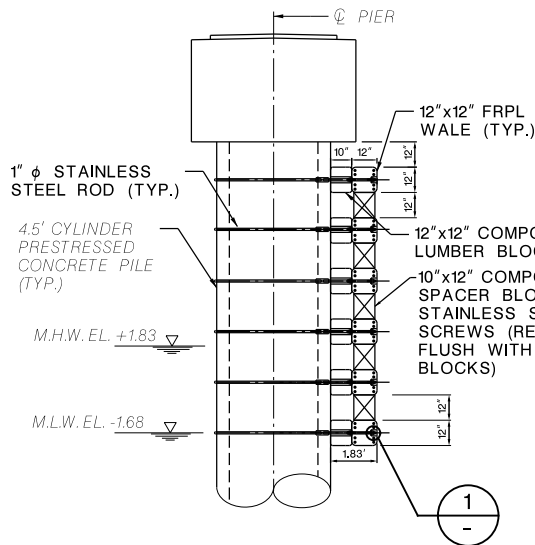
SHEET 4 OF 5 DATE 5/5/2023

REVISION	BY	C/K/D	DATE



FENDER SYSTEM FRONT ELEVATION

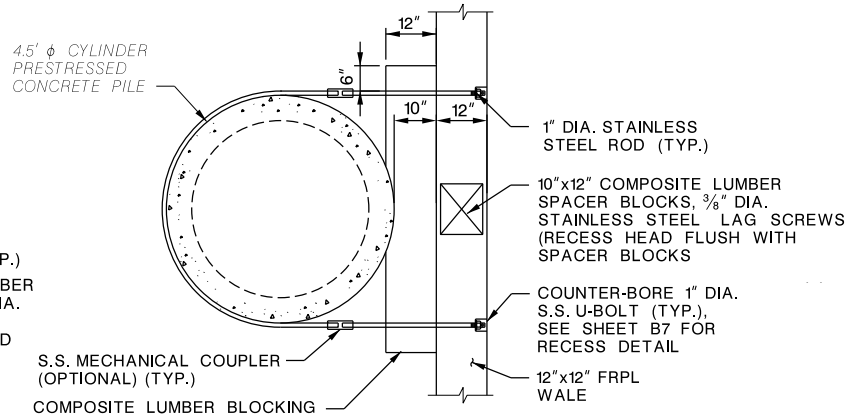
SCALE: 1/16" = 1.0'



FENDER TYPICAL SECTION

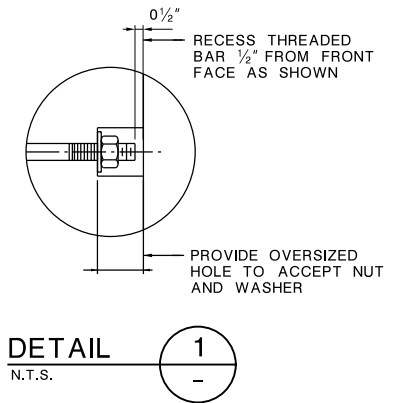
N.T.S.

MHW EL. = 1.83'
 MLW EL. = -1.68
 100 YEAR FLOOD EL. = 8.1'
 500 YEAR FLOOD EL. = 10.4'
 DATUM: NAVD 1988



SECTION A

SCALE: 1/4" = 1.0'



DETAIL 1

N.T.S.

NOTE: CONCEPTUAL PLANS UTILIZED TO OBTAIN COAST GUARD BRIDGE PERMIT

HARDESTY AND HANOVER, LLC
 5 MARINE VIEW PLAZA, HOBOKEN, NJ 07030
Robert F. Supino
 ROBERT F. SUPINO
 NEW JERSEY PROFESSIONAL ENGINEER LICENSE NO. 24GE04130700
 DATE 5/5/2023

NEW JERSEY DEPARTMENT OF TRANSPORTATION

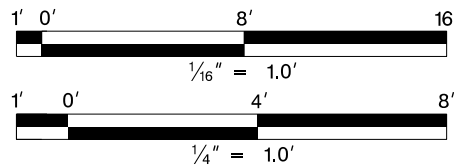
ROUTE 35 BRIDGE OVER NAVESINK RIVER
 NAVESINK RIVER, M.P. 8.3

BOROUGH OF RED BANK AND TOWNSHIP OF MIDDLETOWN
 MONMOUTH COUNTY
 STATE OF NEW JERSEY

CONSULTANT: HARDESTY & HANOVER, LLC

APPLICATION BY:
 NEW JERSEY DEPARTMENT OF TRANSPORTATION

SHEET 5 OF 5 DATE 5/5/2023



REVISION	BY	C/K/D	DATE